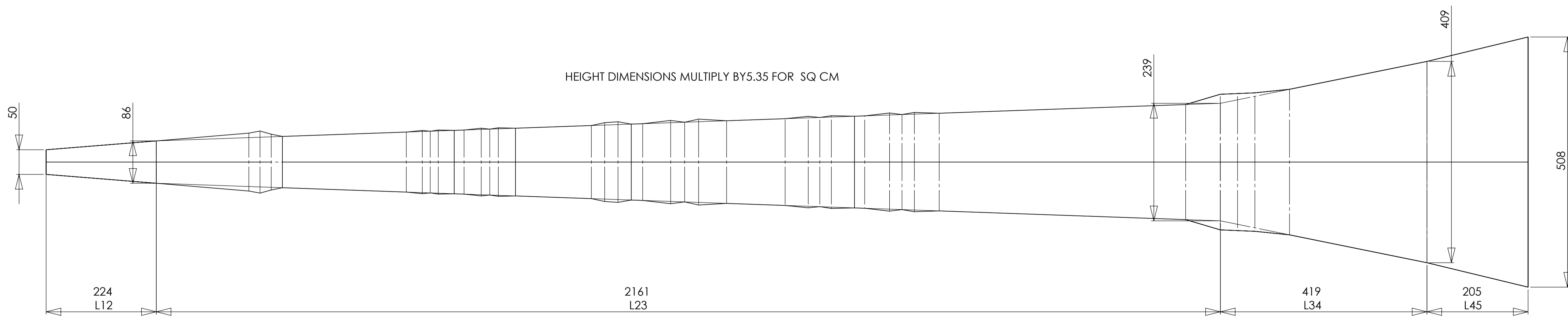
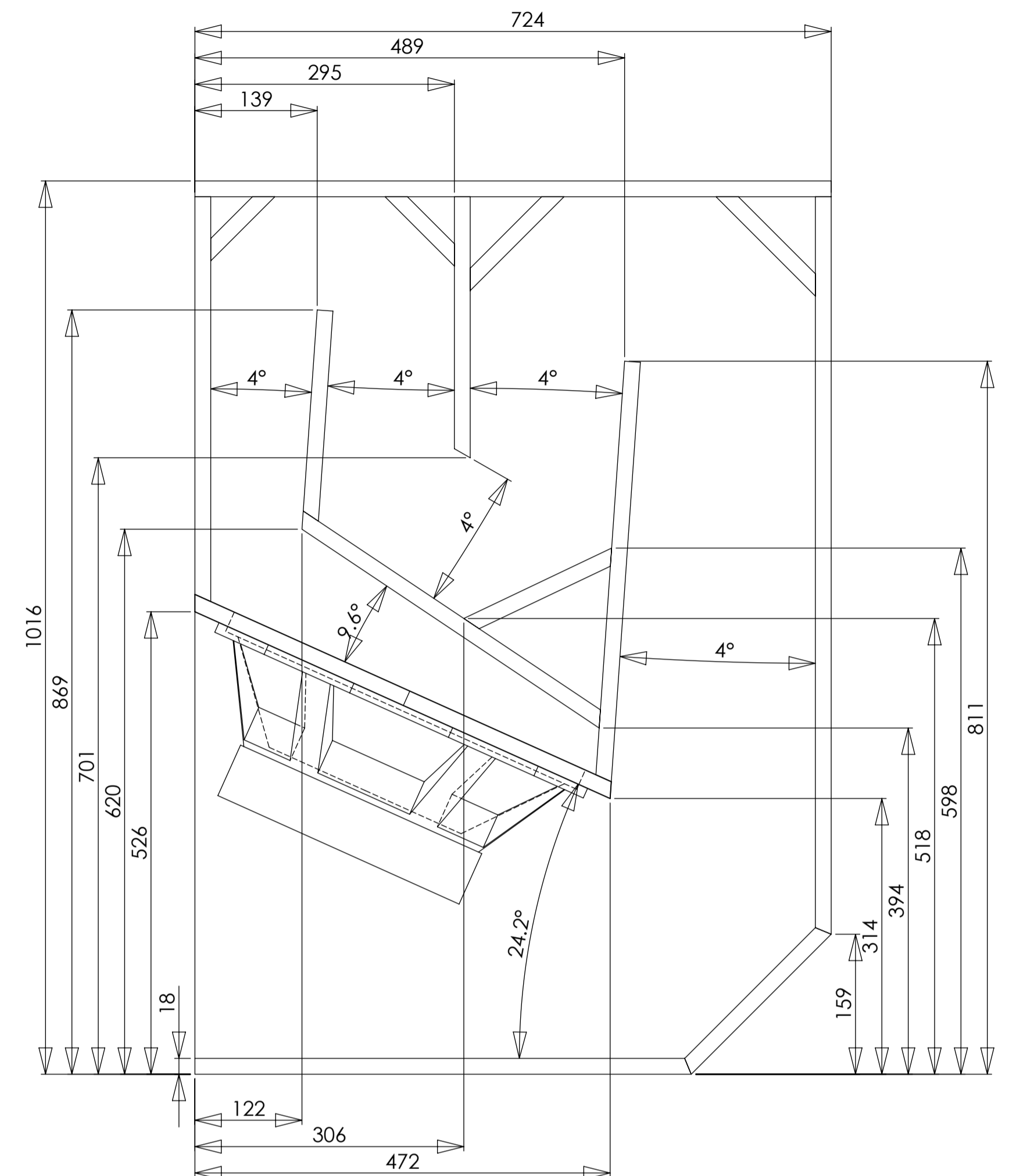
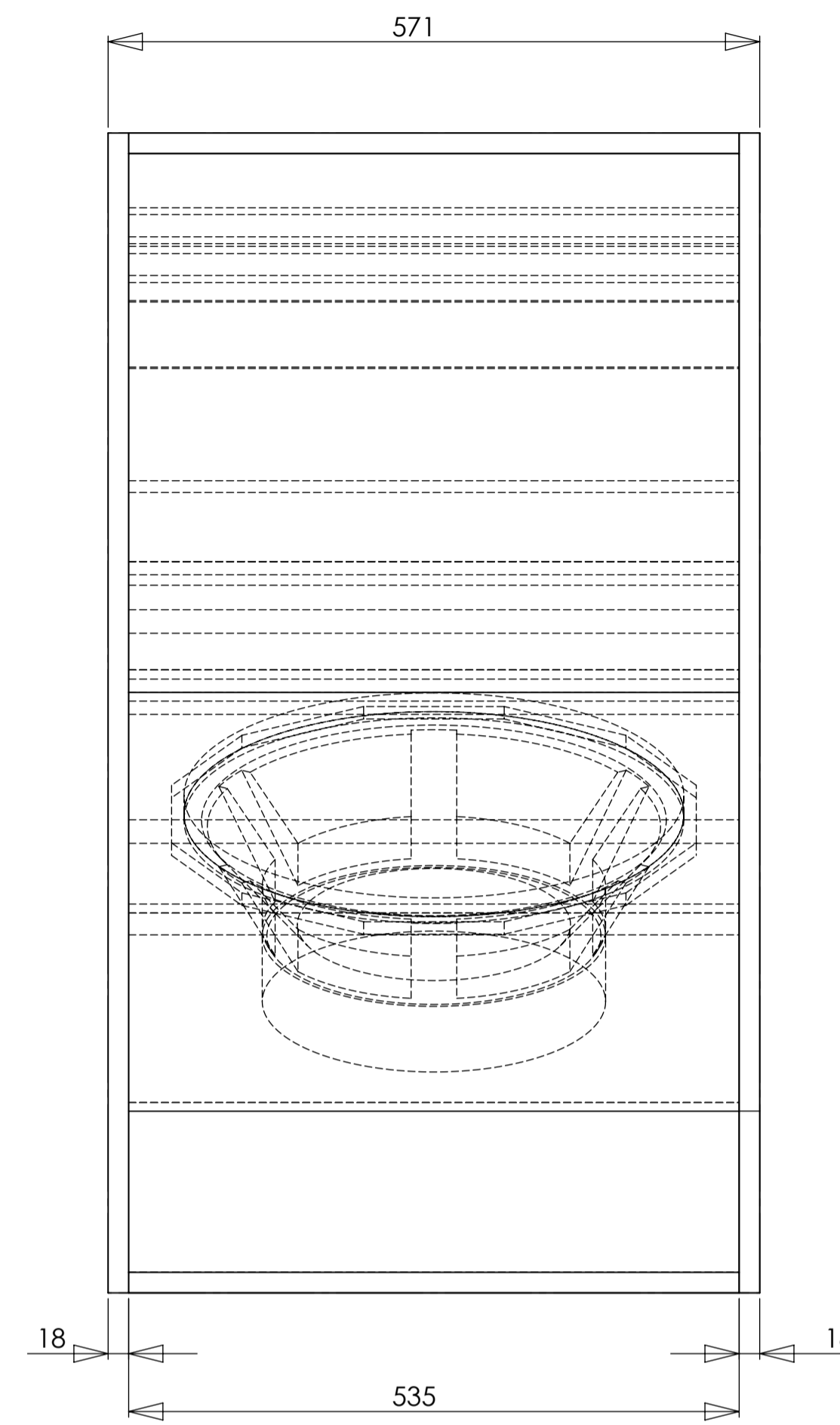


FOLDED SCHEMATIC

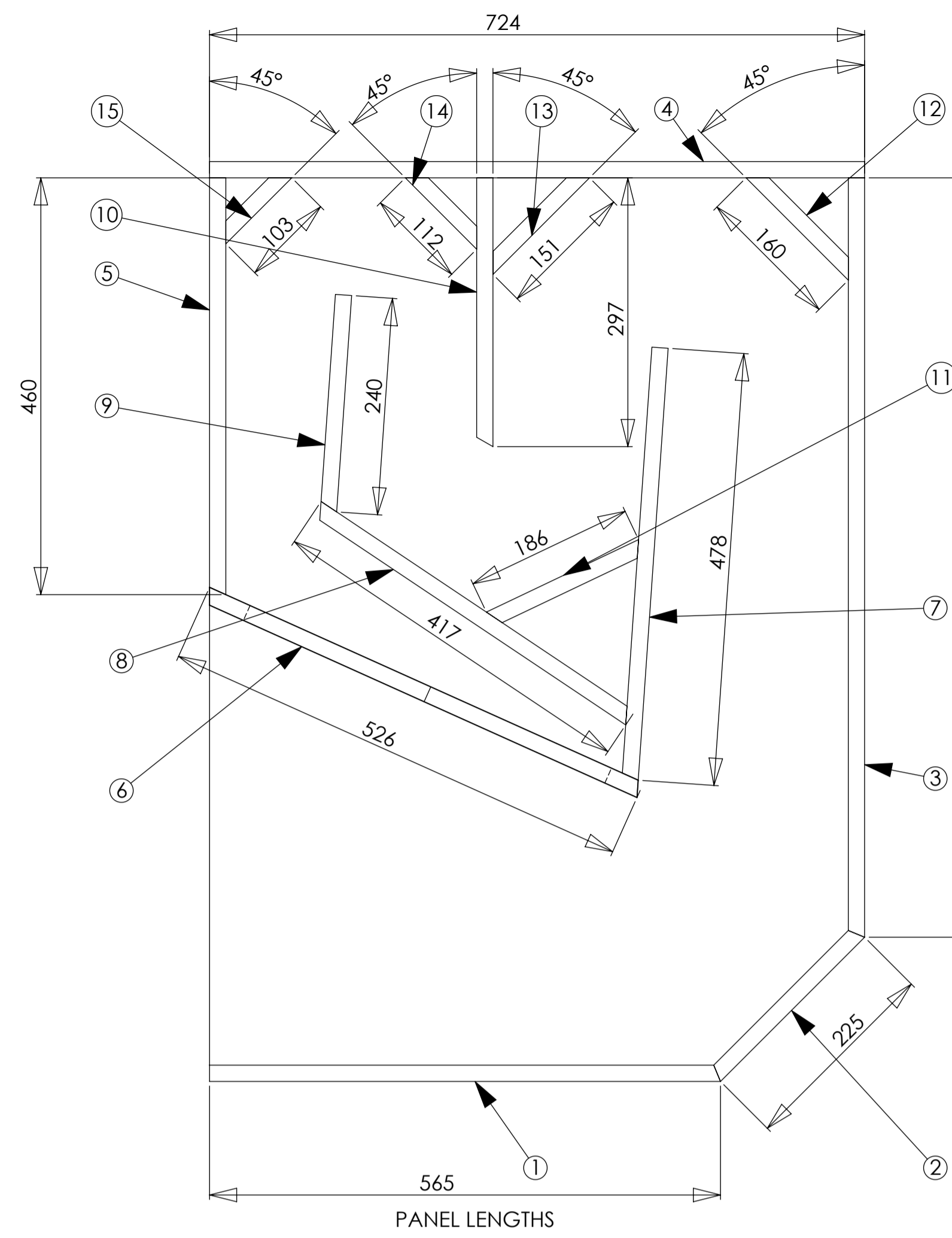
18" DRIVER
PRECISION DEVICES PD1850
SHOWN

18mm BIRCH PLY



HEIGHT DIMENSIONS MULTIPLY BY 5.35 FOR SQ CM

UNFOLDED SCHEMATIC



ALL TIMBER PANELS 18mm BIRCH PLY		
ITEM NO.	DESCRIPTION	QTY.
1	BASE - 18 x 535 x 565	1
2	BOTTOM REFLECTOR - 18 x 535 x 225	1
3	BACK - 18 x 535 x 839	1
4	TOP - 18 x 535 x 724	1
5	FRONT - 18 x 535 x 460	1
6	BAFFLE - 18 x 535 x 526	1
7	INTERNAL 1 - 18 x 535 x 478	1
8	INTERNAL 2 - 18 x 535 x 417	1
9	INTERNAL 3 - 18 x 535 x 240	1
10	INTERNAL 4 - 18 x 535 x 297	1
11	REFLECTOR 2 - 18 x 535 x 186	1
12	REFLECTOR 3 - 18 x 535 x 160	1
13	REFLECTOR 4 - 18 x 535 x 151	1
14	REFLECTOR 5 - 18 x 535 x 112	1
15	REFLECTOR 6 - 18 x 535 x 103	1
16	SIDE - 18 x 724 x 1016	2
17	18" SPEAKER DRIVER	1

